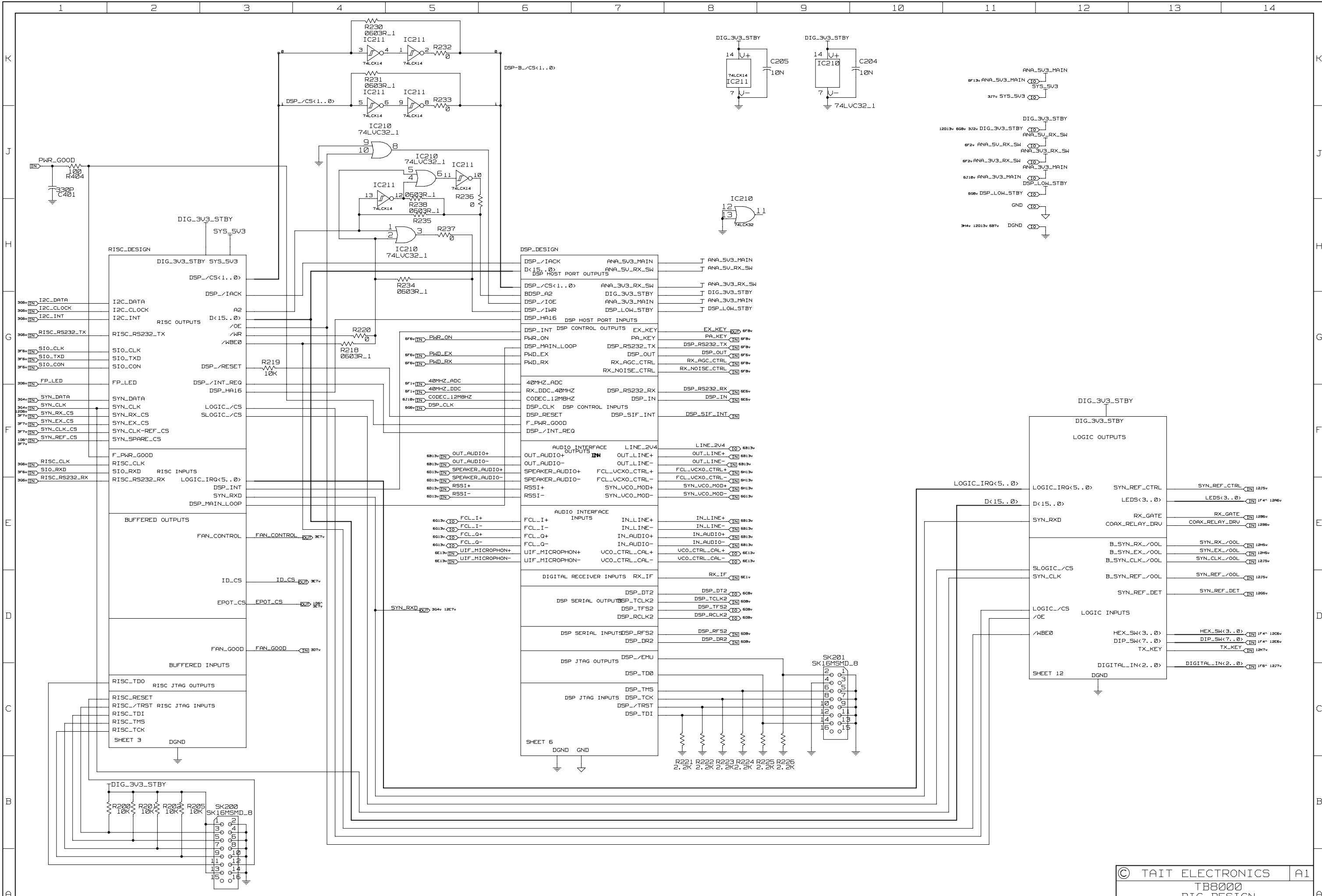


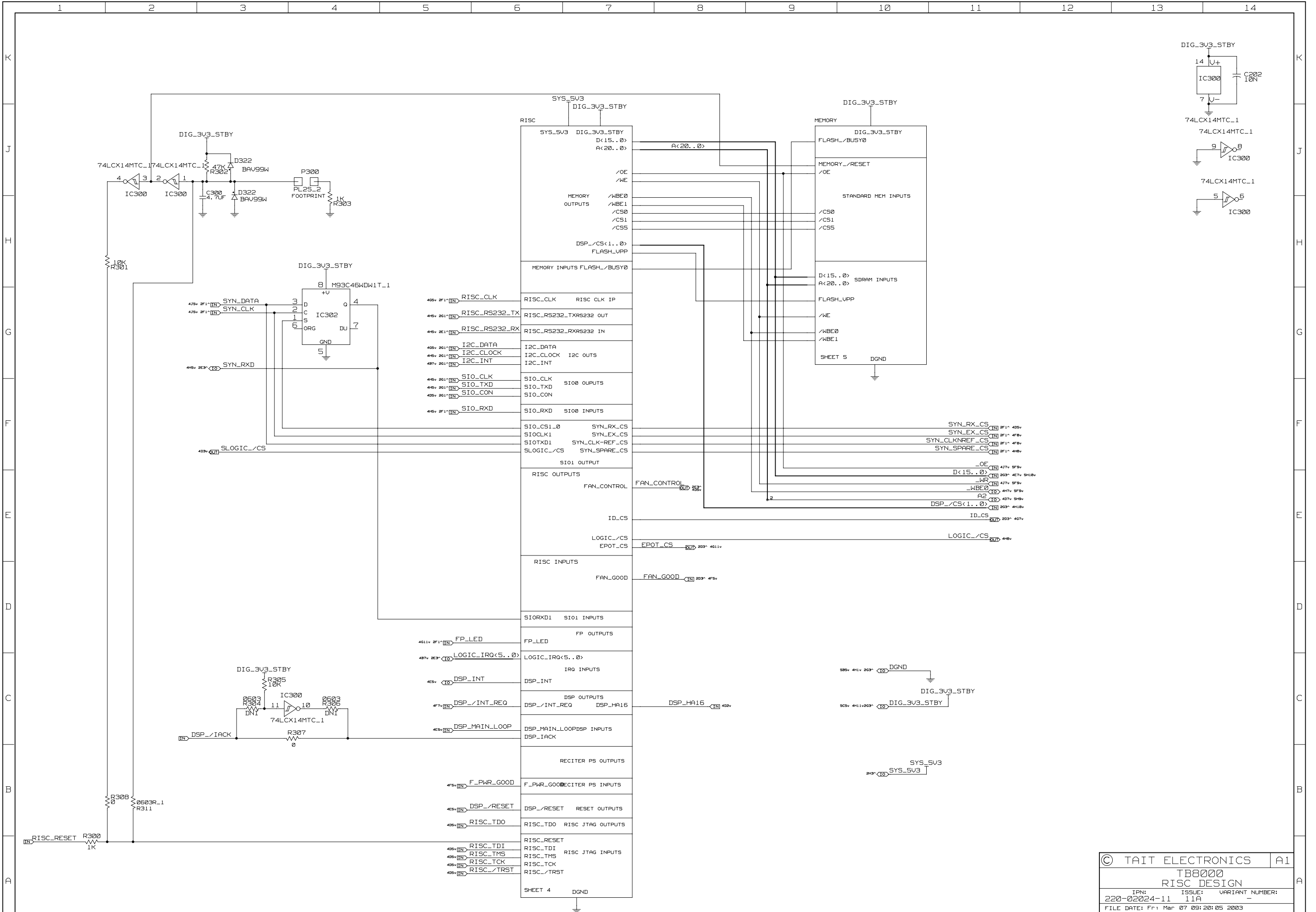
© TAIT ELECTRONICS		A1
T8800 RECITER CONTROL		
IPN: 220-02024-11	ISSUE: 11A	VARIANT NUMBER: -
FILE DATE: Fri Mar 07 09:20:03 2003		
ENGINEER: MN	FILE NAME: 220_02024	SHEET NUMBER: 1 OF 18

11A	DCO 02024-019, 02024-020	SA	MN	CK	MN	17/2/03
REV/ISS	AMENDMENTS	DRAWN	CHKD	D.O.	APVD	DATE
1		3		4		5



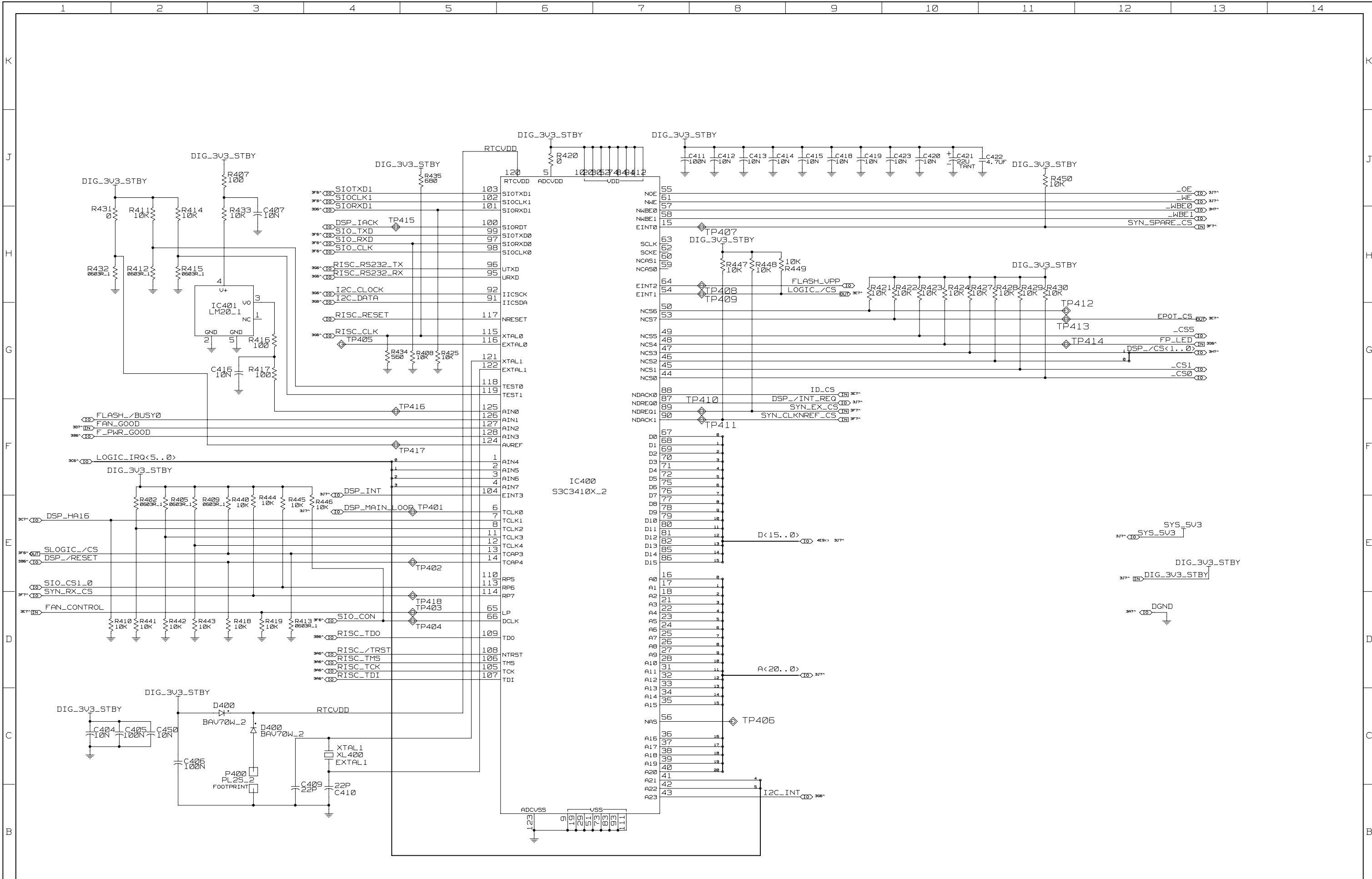
© TAIT ELECTRONICS		A1
TB8000 DIG DESIGN		
IPN: 220-02024-11	ISSUE: 11A	VARIANT NUMBER: -
FILE DATE: Fri Mar 07 09:20:04 2003		
ENGINEER: MN	FILE NAME: 220_02024	SHEET NUMBER: 2 OF 18

REV/ISS	AMENDMENTS	DRAWN	CHKD	D.O.	APVD	DATE
1						



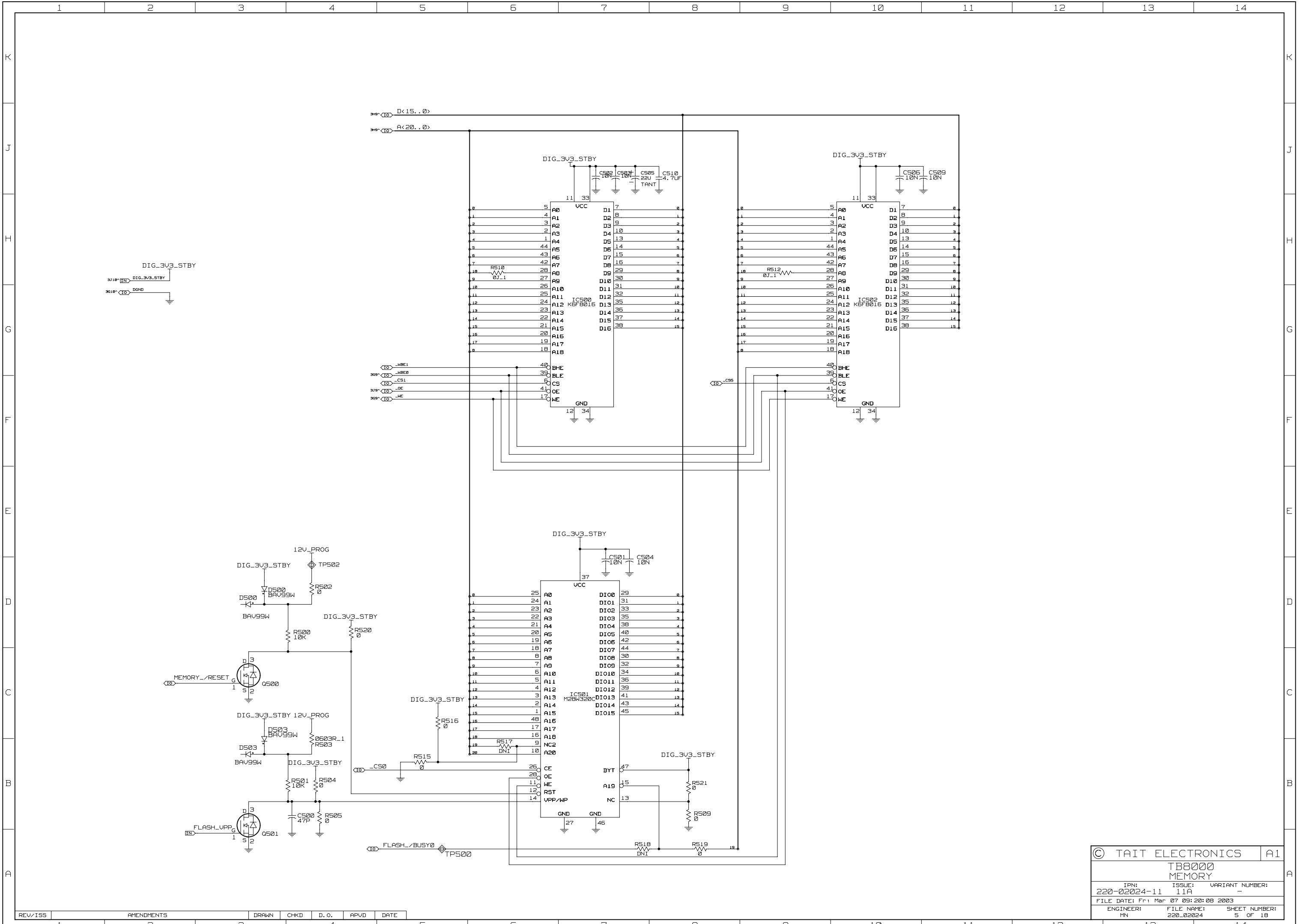
© TAIT ELECTRONICS		A1
T88000 RISC DESIGN		
IPN: 220-02024-11	ISSUE: 11A	VARIANT NUMBER: -
FILE DATE: Fri Mar 07 09:20:05 2023		
ENGINEER: MN	FILE NAME: 220_02024	SHEET NUMBER: 3 OF 18

REV/ISS	AMENDMENTS	DRAWN	CHKD	D.O.	APVD	DATE
1						



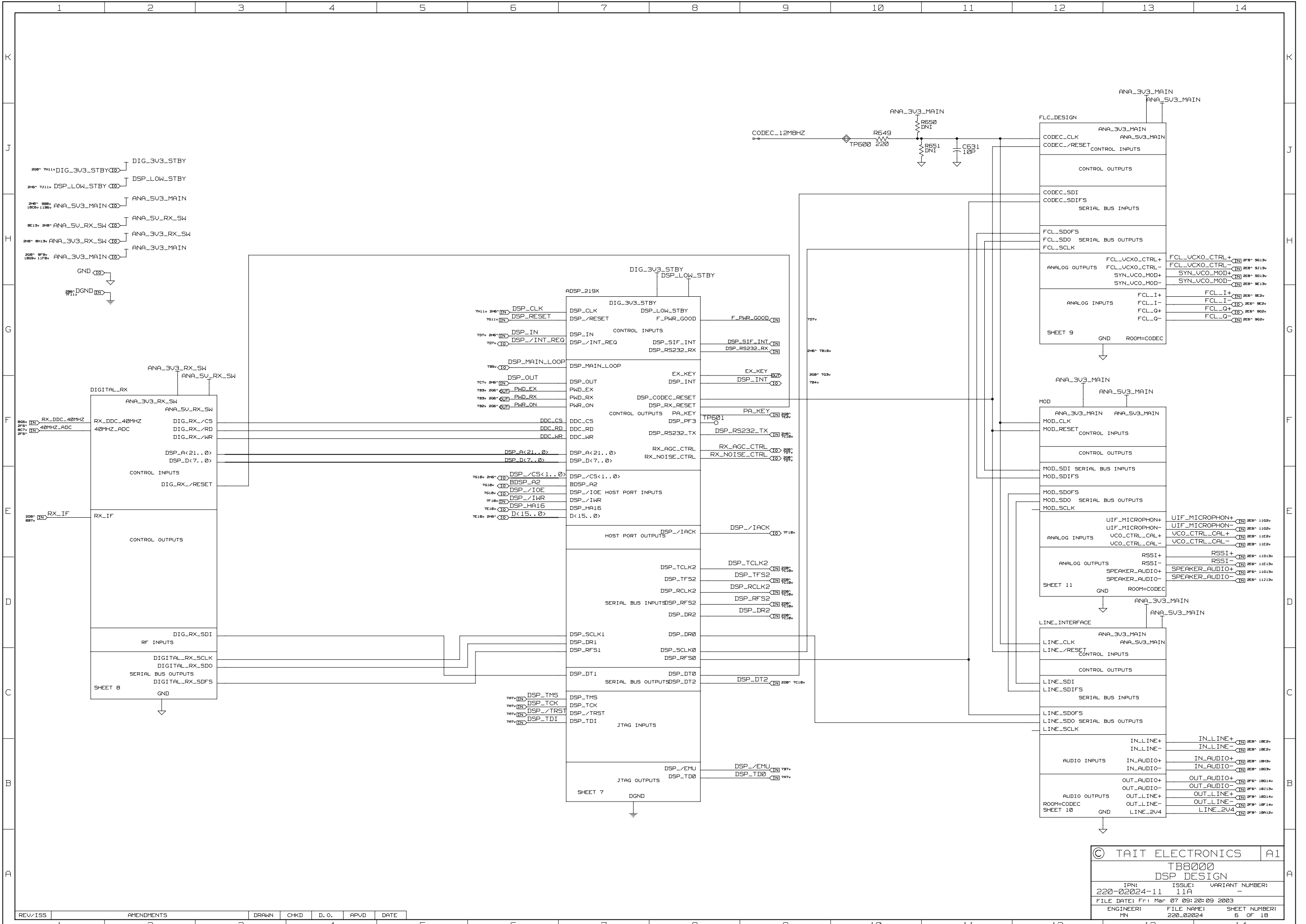
© TAIT ELECTRONICS		A1
T8800 RISC		
IPN: 220-02024-11	ISSUE: 11A	VARIANT NUMBER: -
FILE DATE: Fri Mar 07 09:20:07 2023		
ENGINEER: MN	FILE NAME: 220_02024	SHEET NUMBER: 4 OF 18

REV/ISS	AMENDMENTS	DRAWN	CHKD	D.O.	APVD	DATE
1						
2						
3						
4						
5						



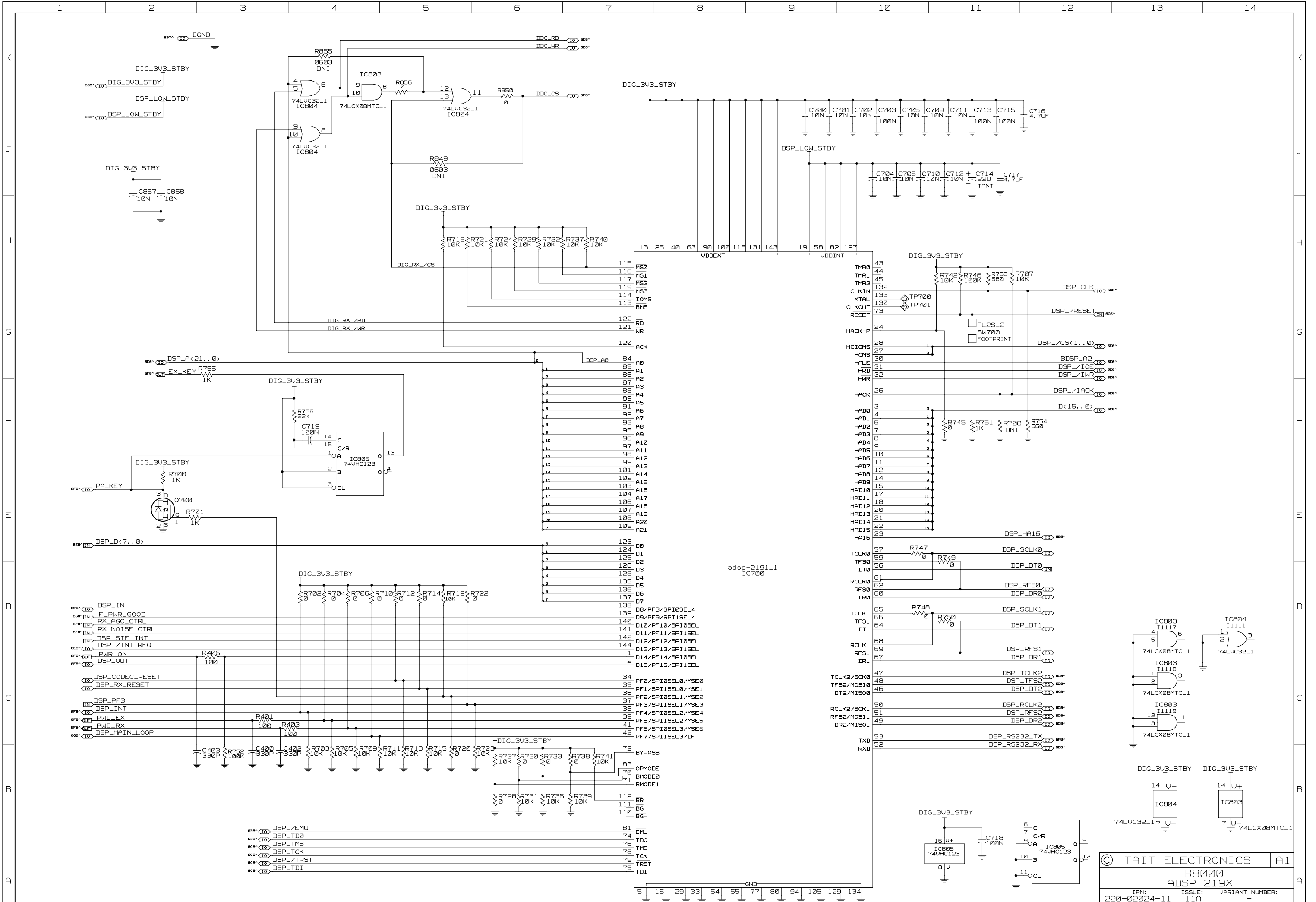
© TAIT ELECTRONICS		A1
TB8000 MEMORY		
IPN: 220-02024-11	ISSUE: 11A	VARIANT NUMBER: -
FILE DATE: Fri Mar 07 09:20:08 2003		
ENGINEER: MN	FILE NAME: 220_02024	SHEET NUMBER: 5 OF 18

REV/ISS	AMENDMENTS	DRAWN	CHKD	D.O.	APVD	DATE
1						



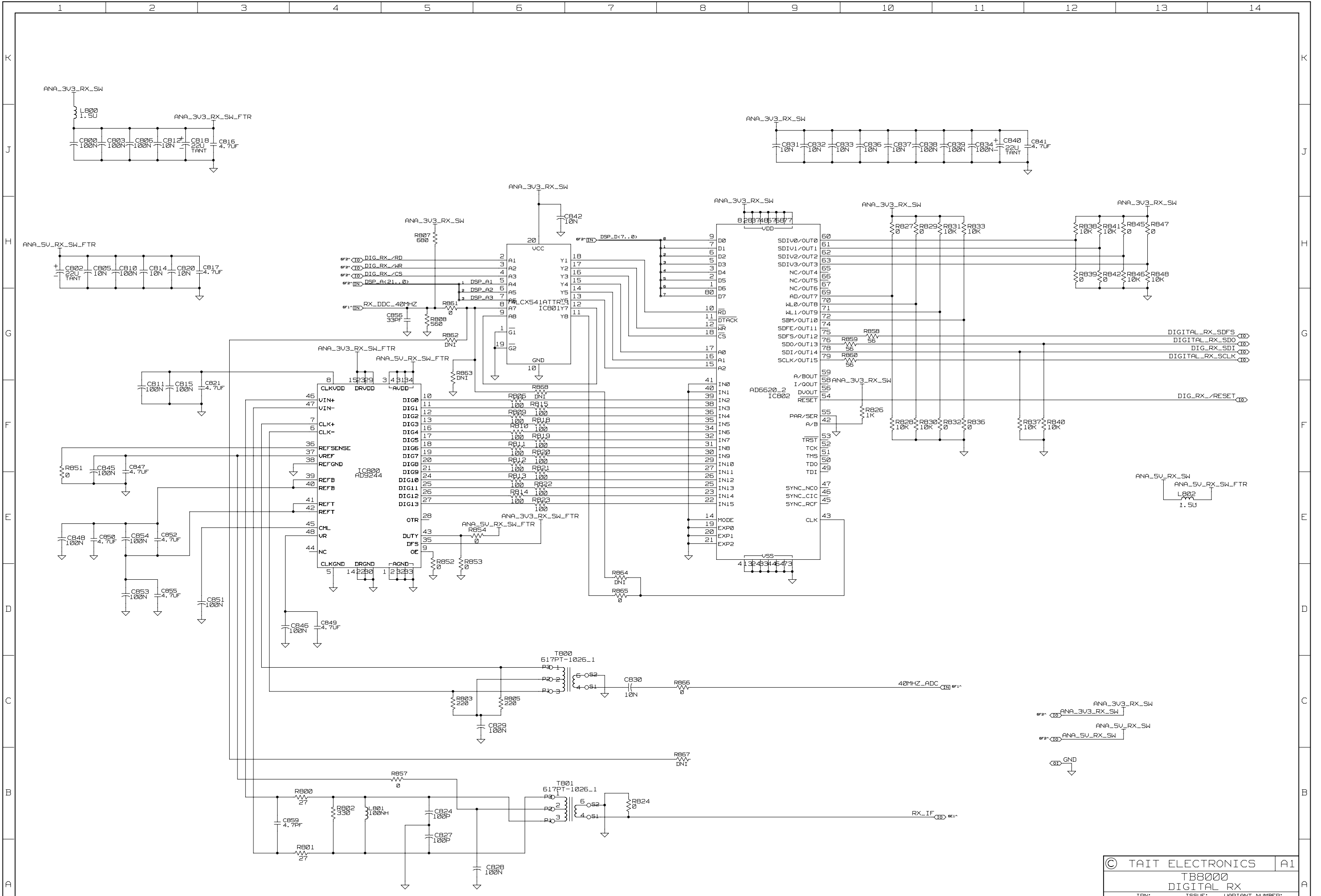
© TAIT ELECTRONICS		A1
T88000 DSP DESIGN		
IPN: 220-02024-11	ISSUE: 11A	VARIANT NUMBER: -
FILE DATE: Fri Mar 07 09:20:09 2003		
ENGINEER: MN	FILE NAME: 220_02024	SHEET NUMBER: 6 OF 18

REV/ISS	AMENDMENTS	DRAWN	CHKD	D.O.	APVD	DATE
1						



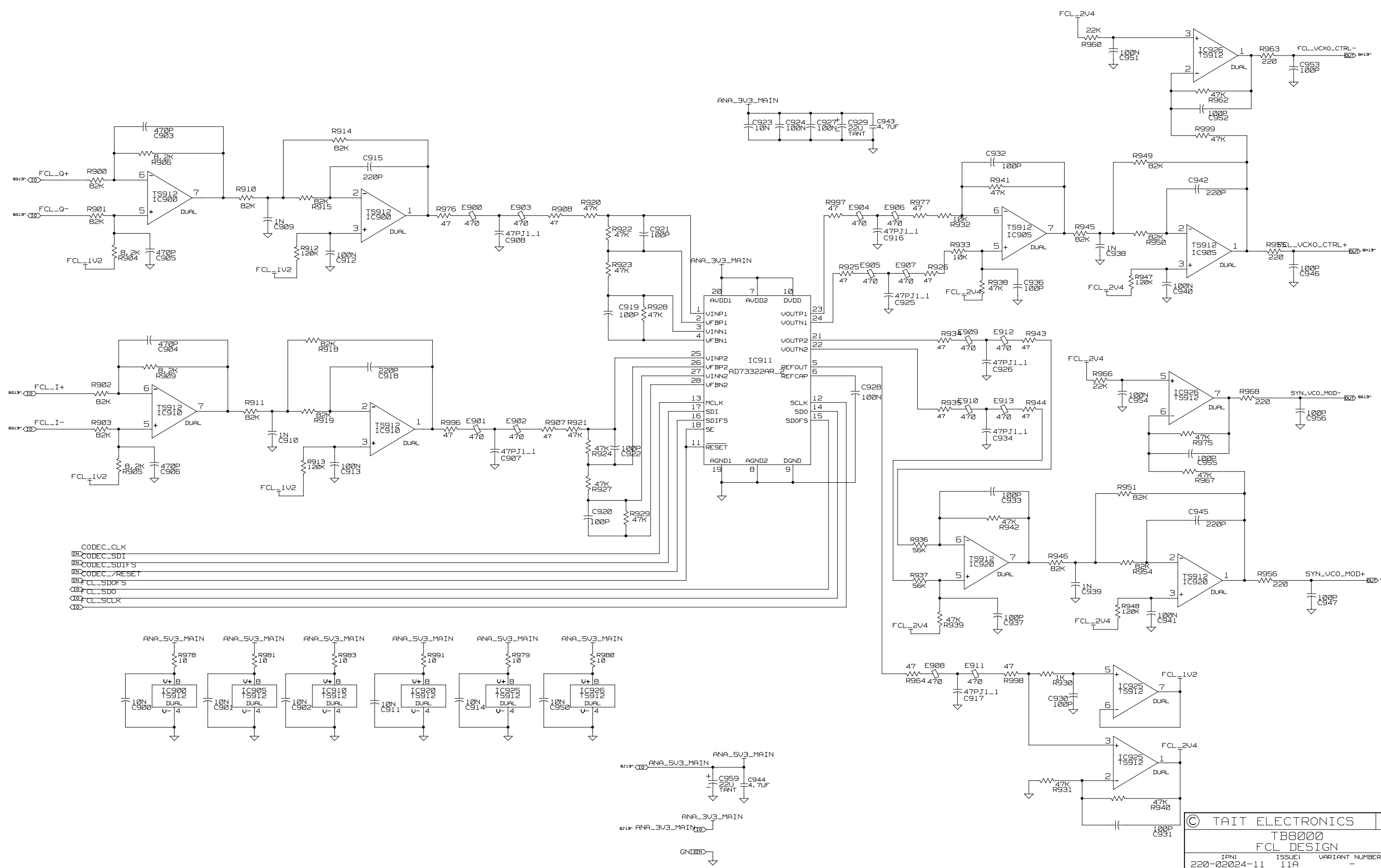
© TAIT ELECTRONICS		A1
TB8000		
ADSP 219X		
IPN:	ISSUE:	VARIANT NUMBER:
220-02024-11	11A	-
FILE DATE: Fri Mar 07 09:20:11 2003		
ENGINEER:	FILE NAME:	SHEET NUMBER:
MN	220_02024	7 OF 18

REV/ISS	AMENDMENTS	DRAWN	CHKD	D.O.	APVD	DATE
1						



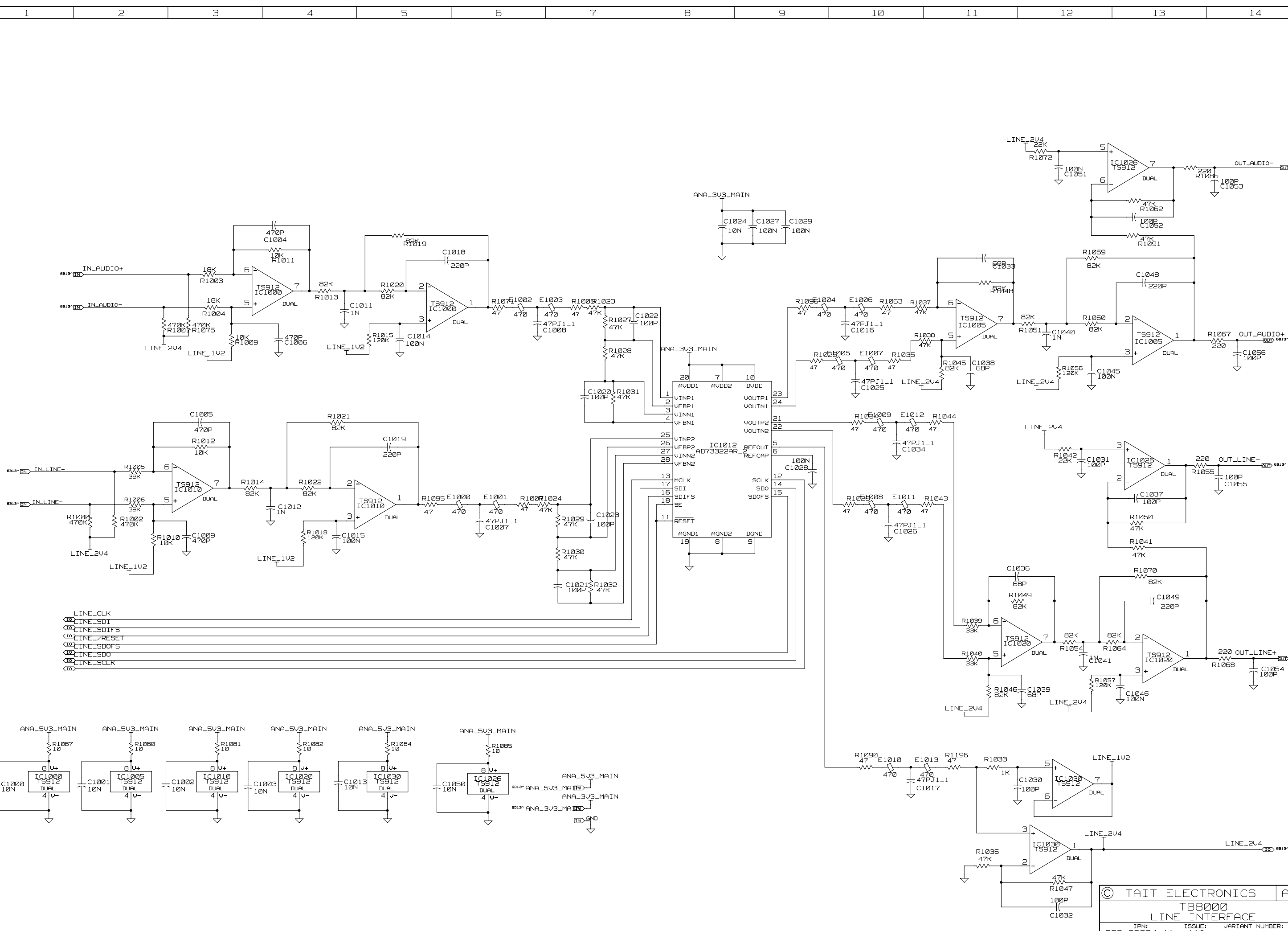
© TAIT ELECTRONICS		A1
T8000		
DIGITAL RX		
IPN:	ISSUE:	VARIANT NUMBER:
220-02024-11	11A	-
FILE DATE: Fri Mar 07 09:20:12 2003	FILE NAME:	SHEET NUMBER:
ENGINEER: MN	220_02024	B OF 18





© TAIT ELECTRONICS | A1  
 TB8000  
 FCL DESIGN  
 IPN: 220-02024-11 | ISSUE: 11A | VARIANT NUMBER: -  
 FILE DATE: Fri Mar 07 09:20:14 2003  
 ENGINEER: MN | FILE NAME: 220\_02024 | SHEET NUMBER: 9 OF 18

REV/ISS	AMENDMENTS	DRAWN	CHKD	D.O.	APVD	DATE
1						

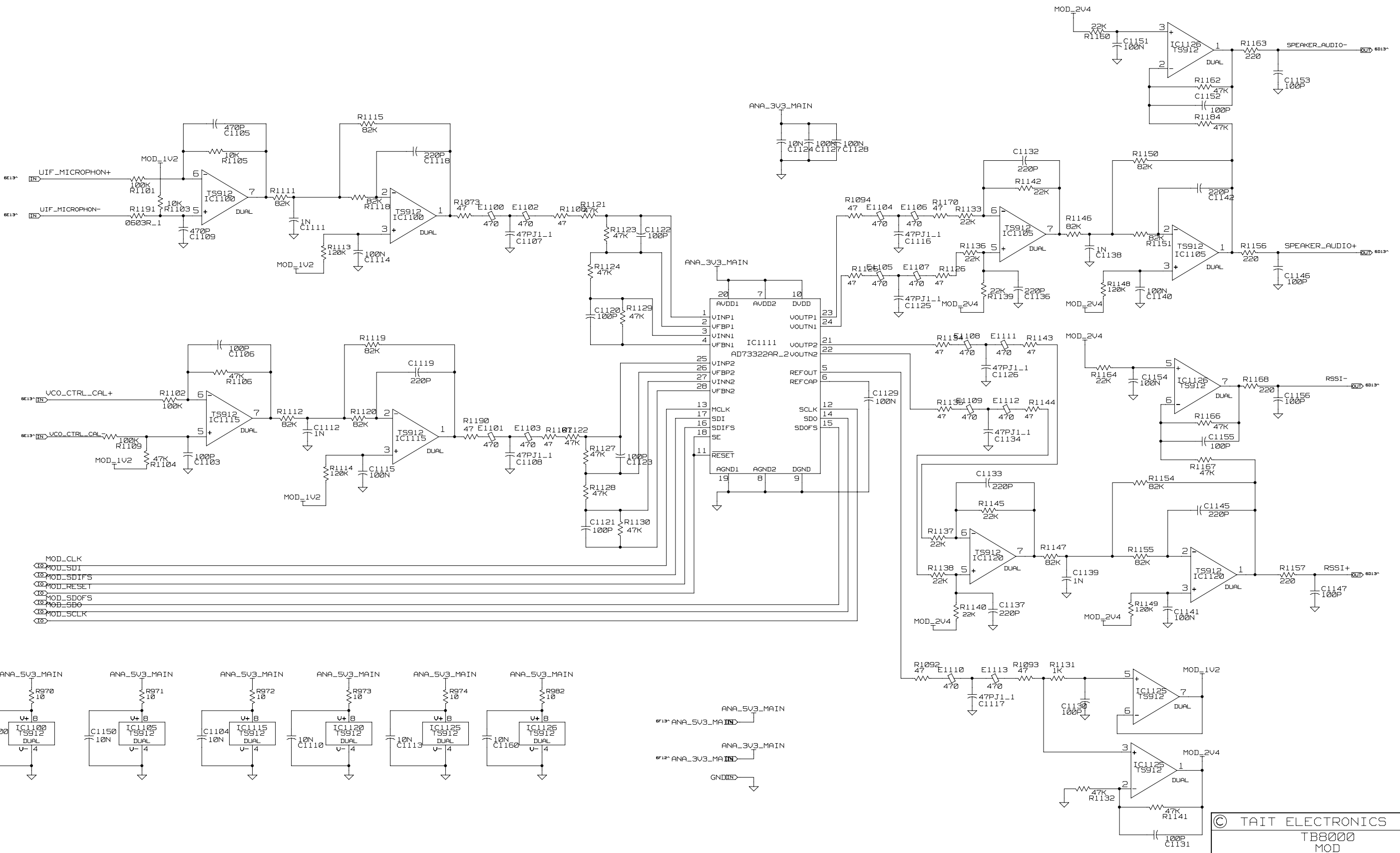


© TAIT ELECTRONICS		A1
T88000		
LINE INTERFACE		
IPN:	ISSUE:	VARIANT NUMBER:
220-02024-11	11A	-
FILE DATE:	Fri Mar 07 09:20:15 2003	
ENGINEER:	FILE NAME:	SHEET NUMBER:
MN	220_02024	10 OF 18

REV/ISS	AMENDMENTS	DRAWN	CHKD	D.O.	APVD	DATE
1						

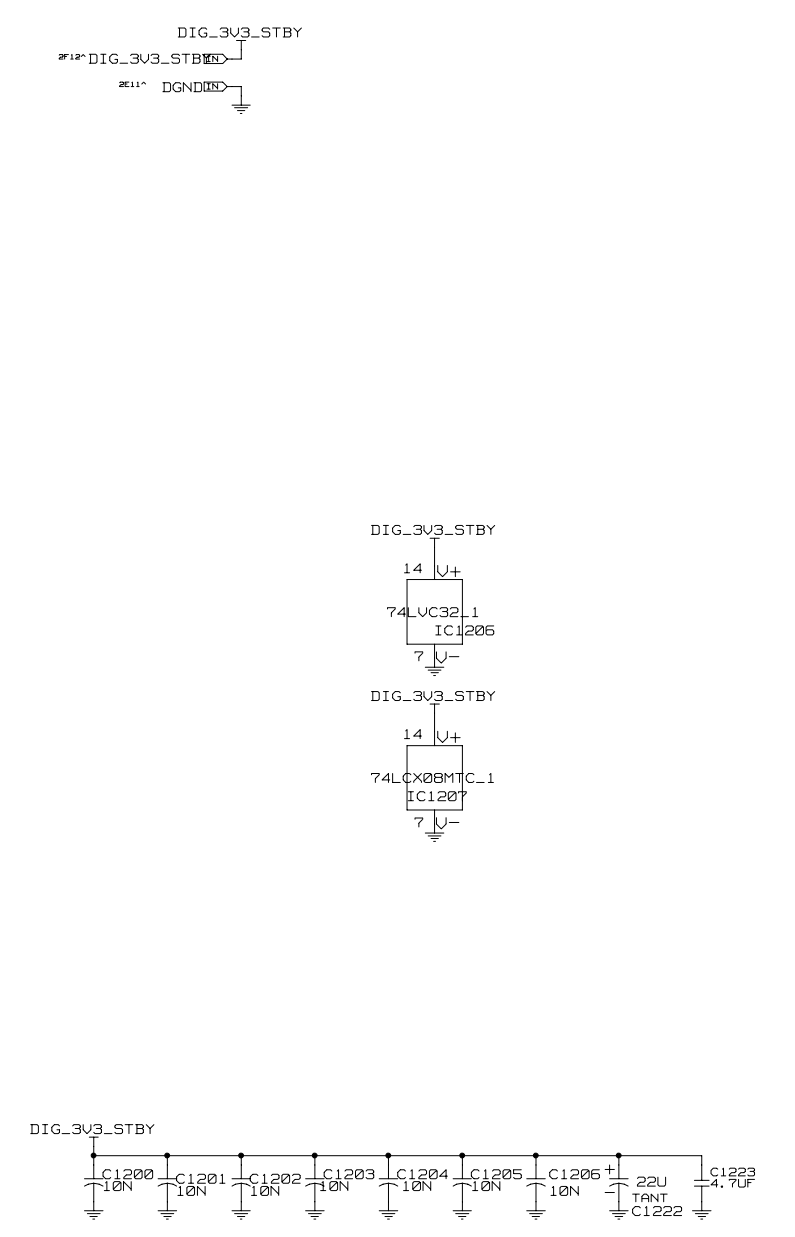
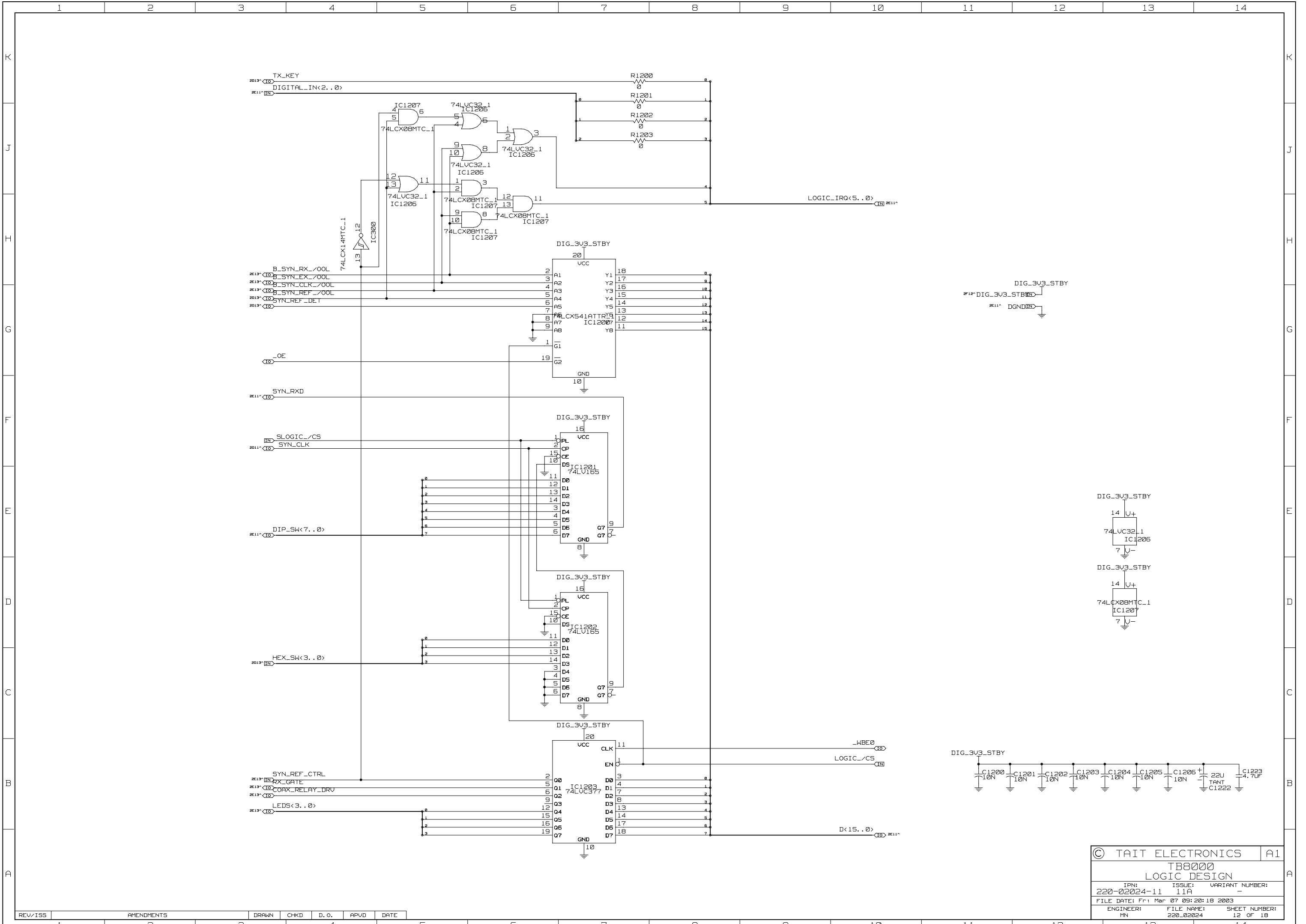
K  
J  
H  
G  
F  
E  
D  
C  
B  
A

K  
J  
H  
G  
F  
E  
D  
C  
B  
A



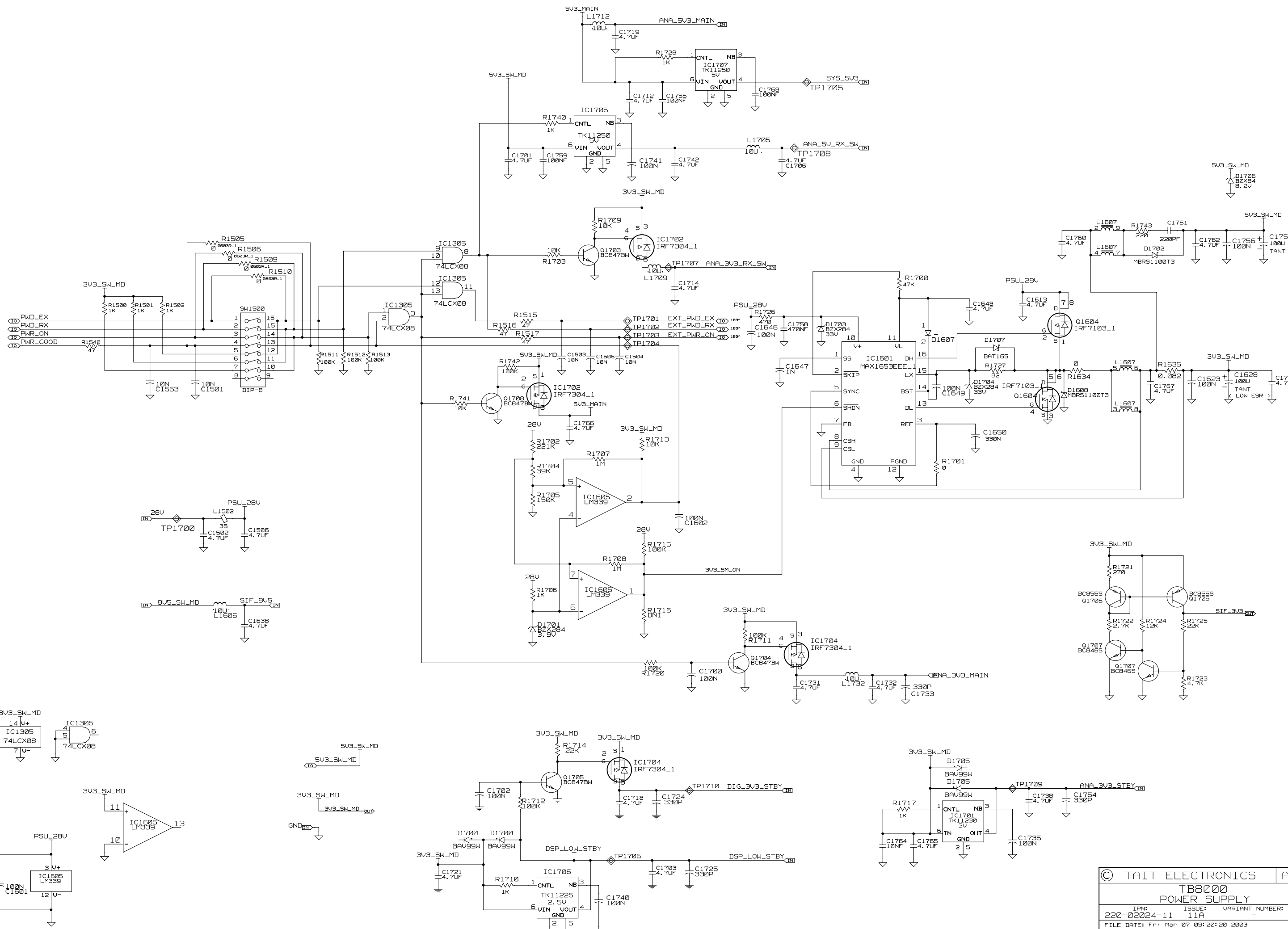
REV/ISS	AMENDMENTS	DRAWN	CHKD	D.O.	APVD	DATE
1						

© TAIT ELECTRONICS		A1
T88000 MOD		
IPN: 220-02024-11	ISSUE: 11A	VARIANT NUMBER: -
FILE DATE: Fri, Mar 07 09:20:17 2003		
ENGINEER: MN	FILE NAME: 220_02024	SHEET NUMBER: 11 OF 18



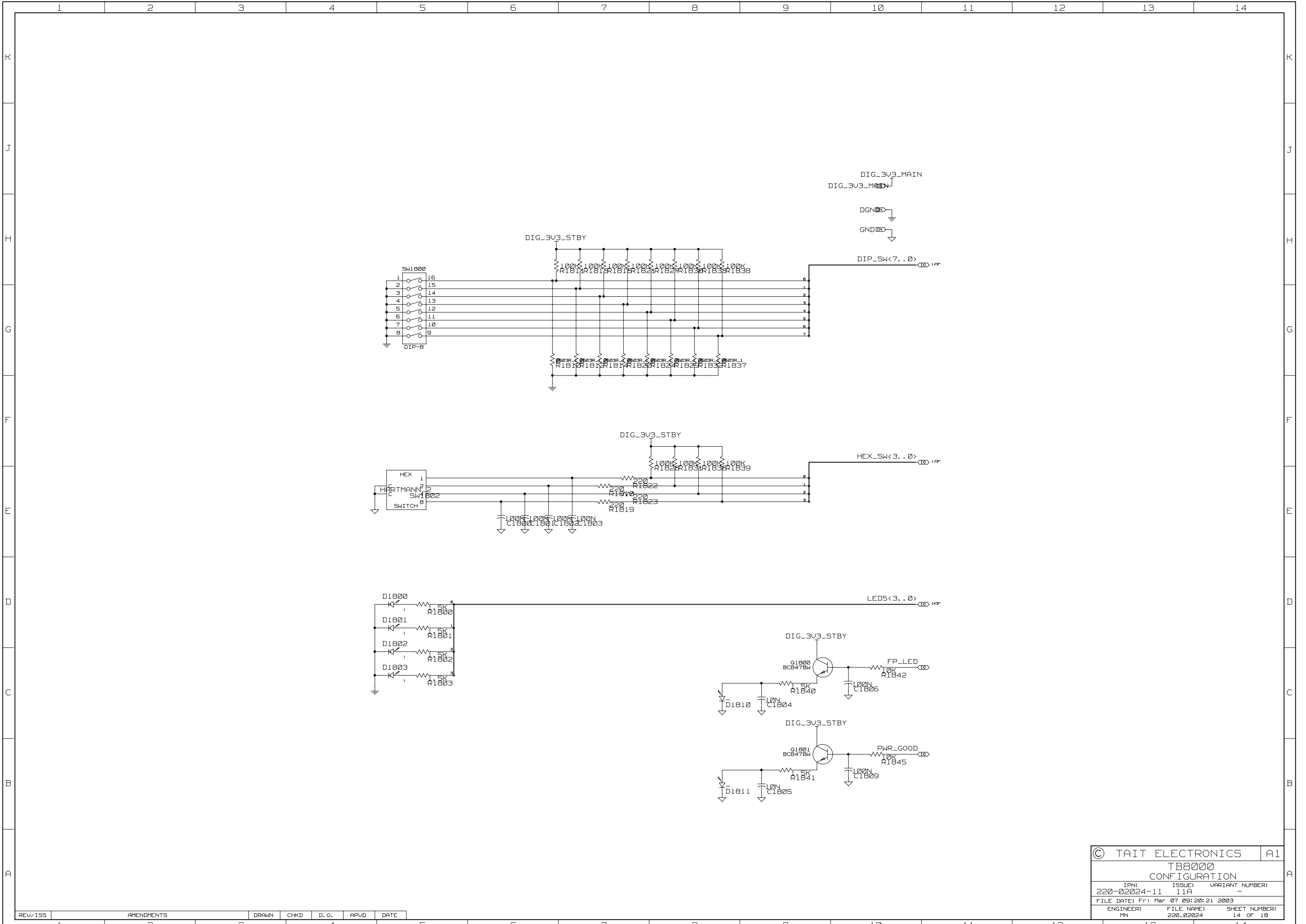
© TAIT ELECTRONICS		A1
TB8000 LOGIC DESIGN		
IPN: 220-02024-11	ISSUE: 11A	VARIANT NUMBER: -
FILE DATE: Fri Mar 07 09:20:18 2023		
ENGINEER: MN	FILE NAME: 220_02024	SHEET NUMBER: 12 OF 18

REV/ISS	AMENDMENTS	DRAWN	CHKD	D.O.	APVD	DATE
1						



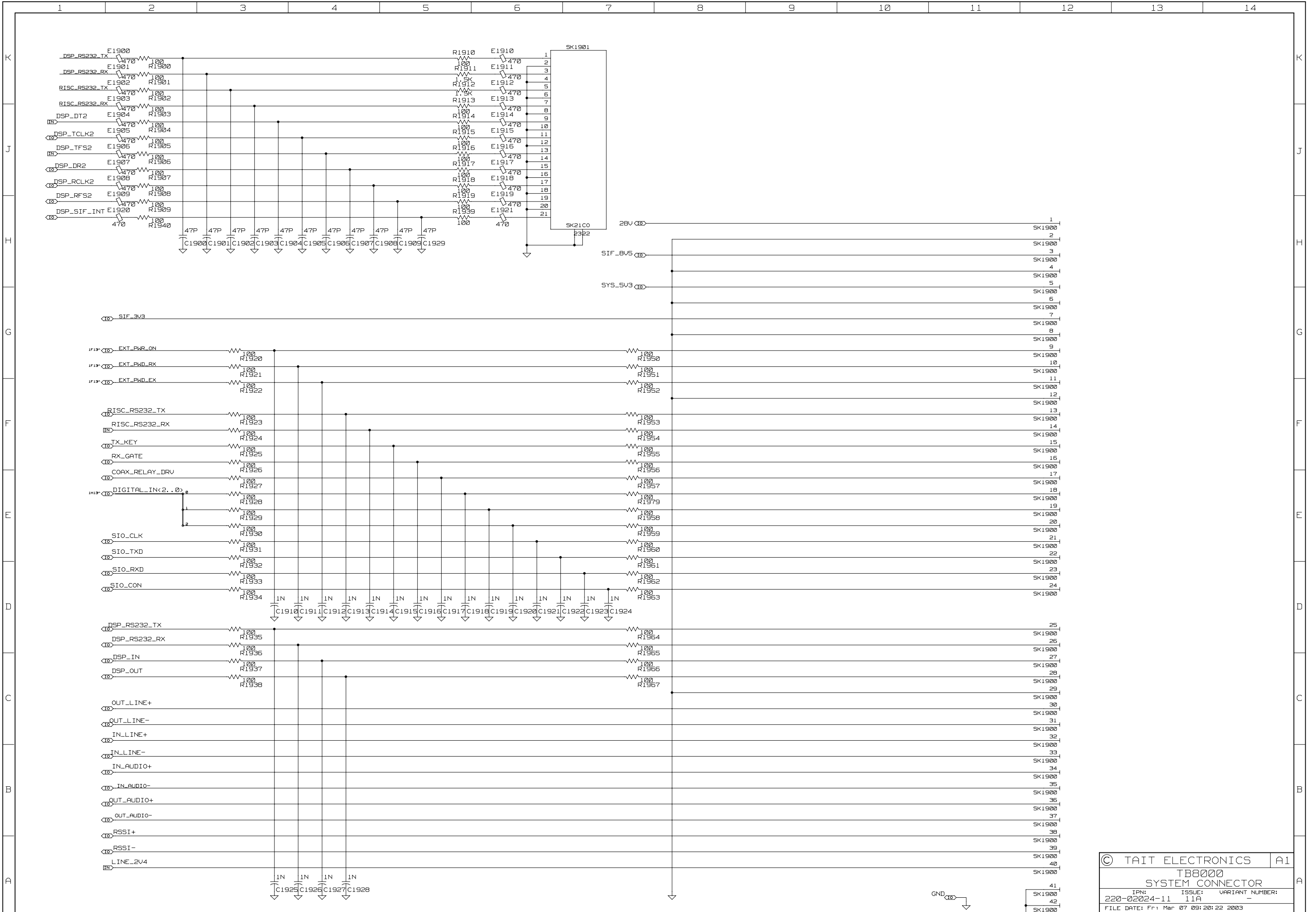
© TAIT ELECTRONICS		A1
T88000 POWER SUPPLY		
IPN: 220-02024-11	ISSUE: 11A	VARIANT NUMBER: -
FILE DATE: Fri Mar 07 09:20:20 2003	FILE NAME: 220_02024	SHEET NUMBER: 13 OF 18
ENGINEER: MN		

REV/ISS	AMENDMENTS	DRAWN	CHKD	D.O.	APVD	DATE
1						



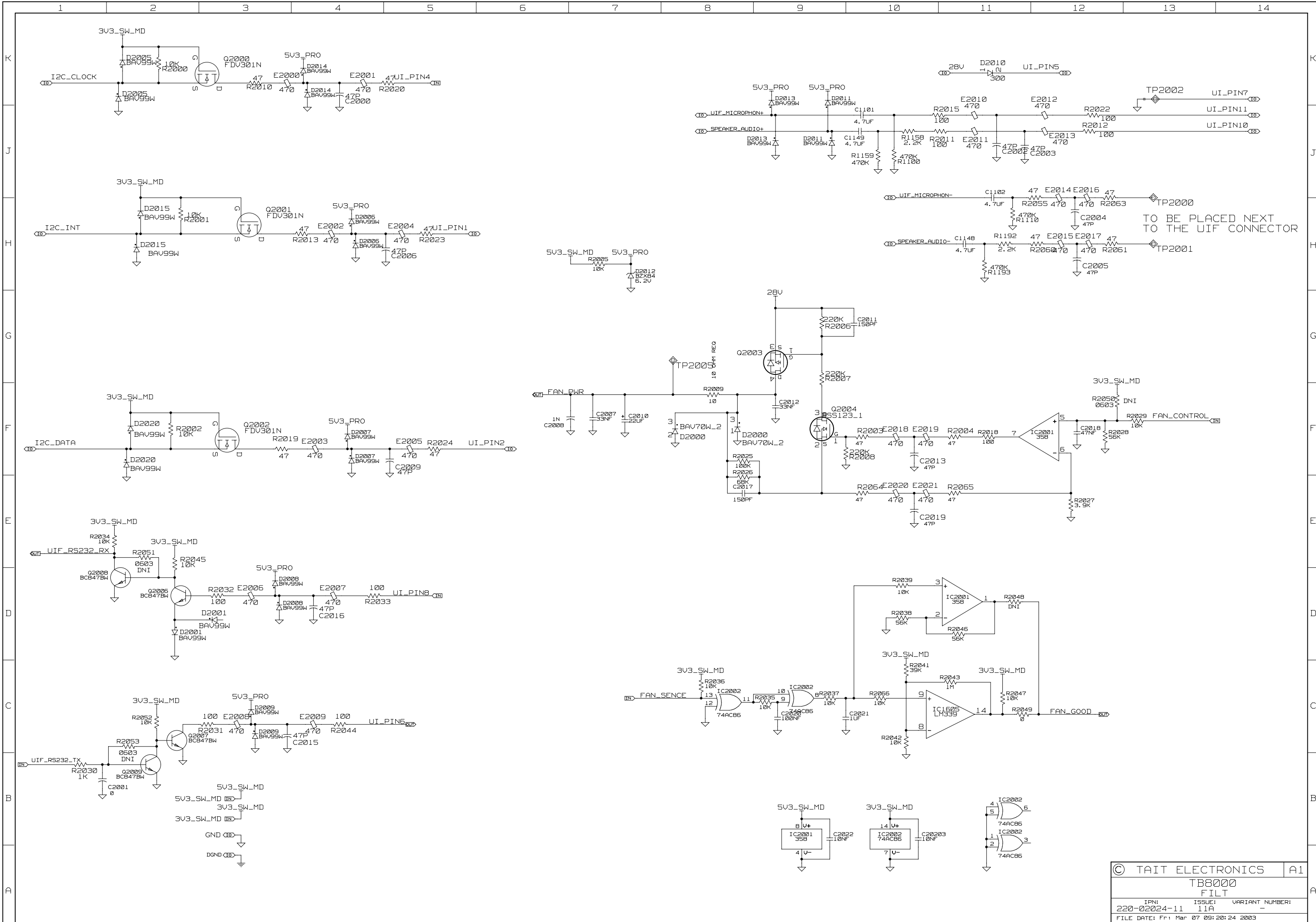
© TAIT ELECTRONICS		A1
T8800 CONFIGURATION		
IPN: 220-02024-11	ISSUE: 11A	VARIANT NUMBER: -
FILE DATE: Fri Mar 07 09:20:21 2003		
ENGINEER: MN	FILE NAME: 220_02024	SHEET NUMBER: 14 OF 18

REV/ISS	AMENDMENTS	DRAWN	CHKD	D.O.	APVD	DATE
1						



© TAIT ELECTRONICS		A1
TB8000 SYSTEM CONNECTOR		
IPN: 220-02024-11	ISSUE: 11A	VARIANT NUMBER: -
FILE DATE: Fri Mar 07 09:20:22 2003		
ENGINEER: MN	FILE NAME: 220_02024	SHEET NUMBER: 15 OF 18

REV/ISS	AMENDMENTS	DRAWN	CHKD	D.O.	APVD	DATE
1						

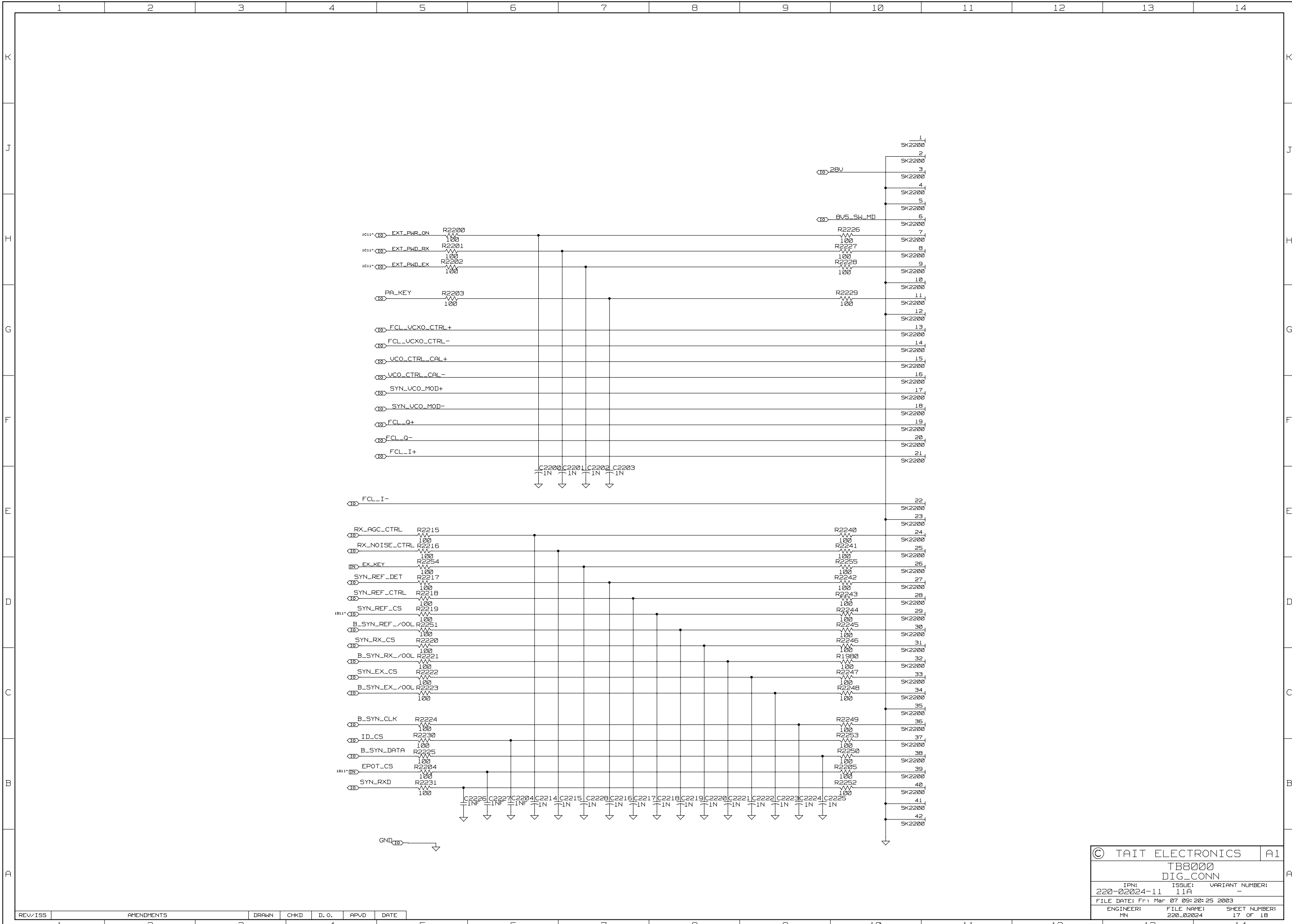


TO BE PLACED NEXT TO THE UIF CONNECTOR

© TAIT ELECTRONICS		A1
T88000 FILT		
IPN: 220-02024-11	ISSUE: 11A	VARIANT NUMBER: -
FILE DATE: Fri Mar 07 09:20:24 2003		
ENGINEER: MN	FILE NAME: 220_02024	SHEET NUMBER: 16 OF 18

REV/ISS	AMENDMENTS	DRAWN	CHKD	D.O.	APVD	DATE
1						

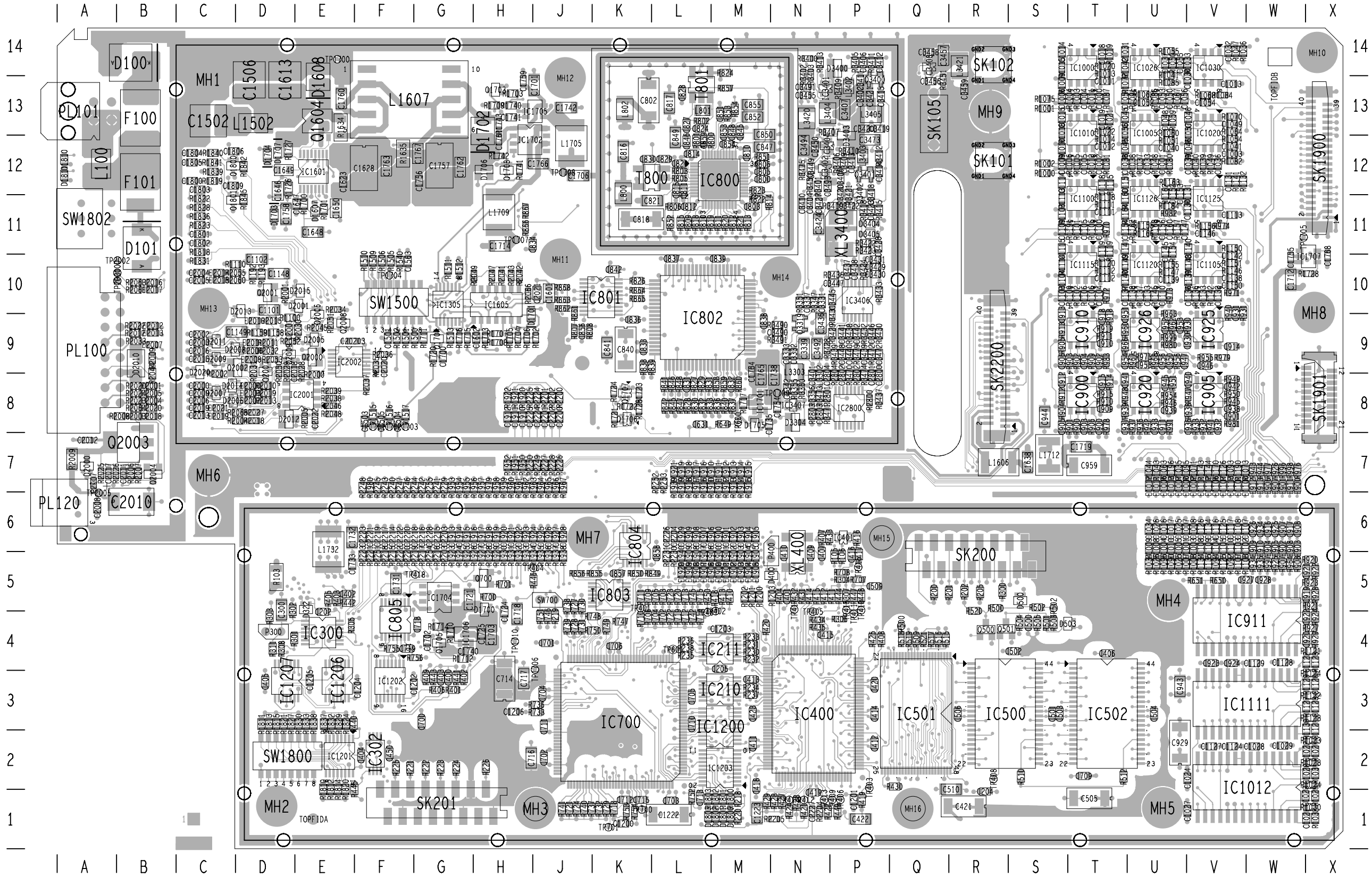





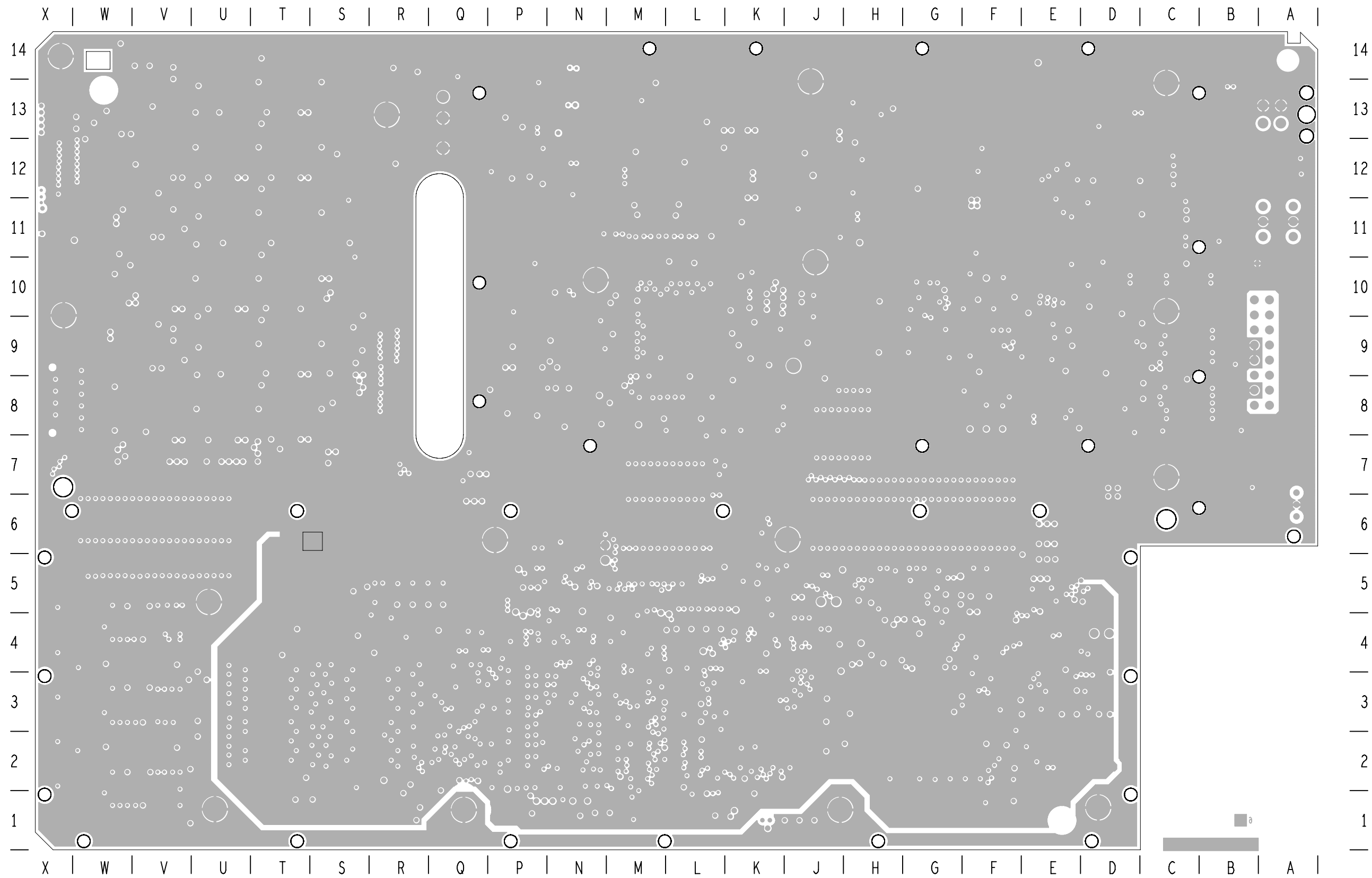
© TAIT ELECTRONICS		A1
T88000 DIG_CONN		
IPN: 220-02024-11	ISSUE: 11A	VARIANT NUMBER: -
FILE DATE: Fri Mar 07 09:20:25 2003		
ENGINEER: MN	FILE NAME: 220_02024	SHEET NUMBER: 17 OF 18

REV/ISS	AMENDMENTS	DRAWN	CHKD	D.O.	APVD	DATE
1						






**TAIT ELECTRONICS**    IPN: 220-02024-11    AssyISS: A    DATE: 7Mar03  
 TB8000 Reciter Control 220-02024-11\_LAYOUT-PRIMARY-SIDE.ps



	IPN:	AssyISS:	DATE:
	220-02024-11	A	7Mar03
TB8000 Reciter Control 220-02024-11_LAYOUT-SECONDARY-SIDE.ps			

NOT TO SCALE